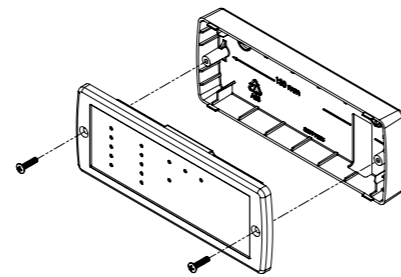
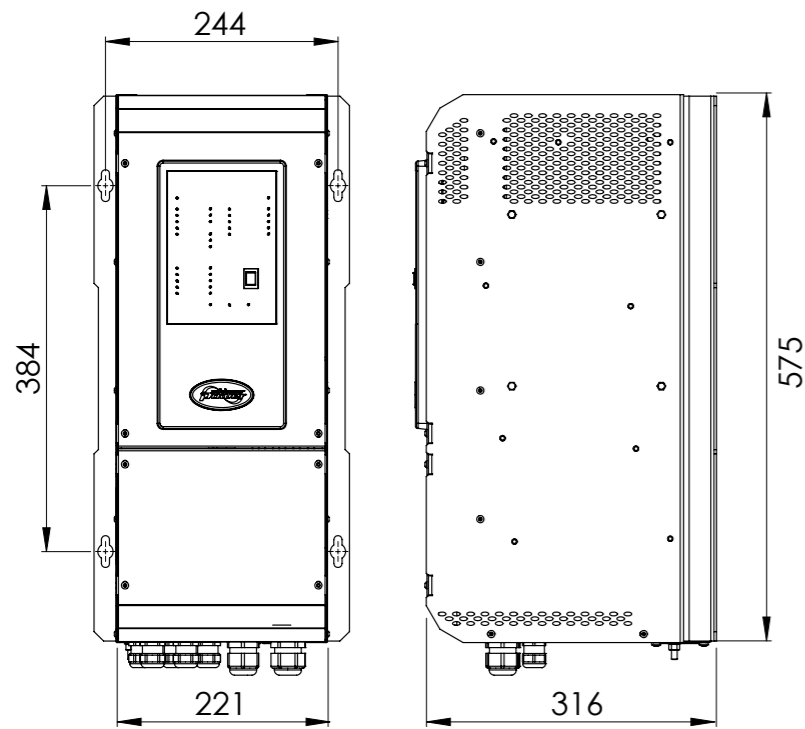
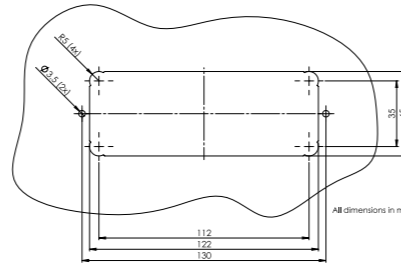


# Installation drawing WhisperPower DC PowerCube

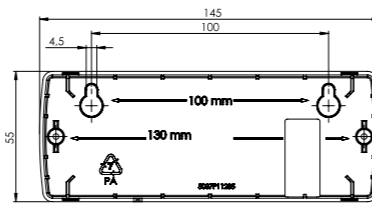
For wall & table top installation • Dimensions in mm



Remote Control Panel Mounting



Cutout pattern for mounting in the dashboard



Dashboard mounted drilling pattern

Art. Nr.	Item
60201201	WP-BTS-1.5m Whisper battery temperature sensor 1.5 mtr
60201202	WP-BTS-6.0m Whisper battery temperature sensor 6 mtr
40290310	WBM-Basic
40290311	WBM-Pro
40290312	WBM-Pro HV
<b>WHISPERPOWER COMPACT BATTERY SWITCHES, 300 AMPS 600 AMPS 12, 24 VDC</b>	
50214701	WP-Compact Manual Battery Switch 300 Amp, single circuit ON-OFF
50214702	WP-Compact Manual Battery Switch 300 Amp, dual circuit
50214703	WP-Compact Manual Battery Switch 300 Amp, dual circuit & selector switch battery switch
50214705	WP-Compact spare knob
50214706	WP Compact identification label
50214707	WP-Compact paralleling DC busbar, 300 Amp
<b>WHISPERPOWER HEAVY DUTY BATTERY SWITCHES, 300 AMPS 600 AMPS 12, 24 VDC</b>	
50214711	WP-HD Manual Battery switch 600 Amp, single circuit ON-OFF
50214712	WP-HD Manual Battery switch 600 Amp, dual circuit
50214715	WP-HD spare Knob
50214716	WP-HD identification label
50214717	WP-HD paralleling DC busbar, 300 Amp
<b>WHISPERPOWER REMOTE BATTERY SWITCH, BISTABEL (NO DC CURRENT DRAIN)</b>	
50214731	WP-Magnetic Latch Battery Switch, 500 Amp, 12 VDC, incl. remote switch
50214732	WP-Magnetic Latch Battery Switch, 500 Amp, 24 VDC, incl. remote switch
<b>WBI-SERIES WHISPER POWER BATTERY ISOLATOR - WITHOUT VOLTAGE DROP</b>	
60115002	WBI 150-2IG 1 DC input, 2 DC outputs, 150 Amp
60115003	WBI 150-3IG 1 DC input, 3 DC outputs, 150 Amp
<b>WBI-VG BATTERY ISOLATOR VOLTAGE GUARD - SWITCH OFF AT LOW BATTERY VOLTAGE</b>	
60110200	WVG-200 12 or 24 VDC, 200 Amp
<b>WBL - SMART MICROCONTROLLER CONTROLLED BATTERY LINK - LOW VOLTAGE LOSS</b>	
60110120	WBL-120 Battery Link, 9 -35 VDC, 120 Amp cont., 180 Amp maximal



# DC-PC WhisperPower DC PowerCube

Battery Charger/Power Supply • Power part of the GENVERTER DC-system



## All-in-one

- Diesel powered battery charger
- Utility/ Shore powered battery charger

Powerful electronically regulated switch - mode battery charger/ power supply. Connectable to our 1/2/3 Cylinder GENVERTER diesel generator. Second input shore/land power 90-264 VAC, 50 or 60 Hz. For 24 or 48 VDC batteries.

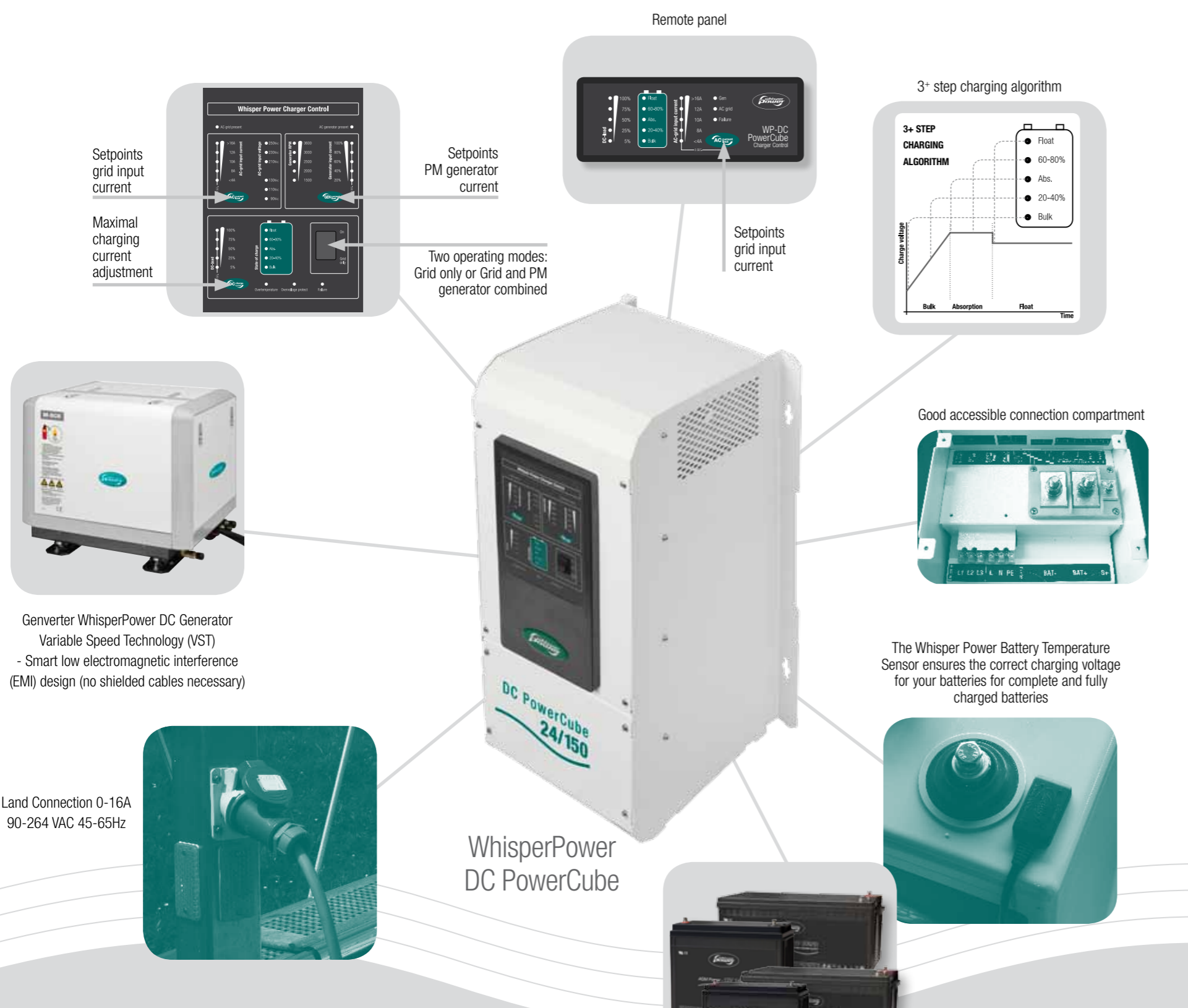
- High power: 4.5 kW/ 150 A (24V) diesel battery charging (24 VDC)
- High Power 3.5 kW/ 120 A (24V) battery charging when connected to shore/land
- 2<sup>nd</sup> DC output to charge auxiliary battery (20 A, multi-step)
- Wide input voltage range (when connected to land power 90-264 VAC, 45-65 Hz)
- 3-step charge characteristic with temperature sensor
- Fully automatic, in diesel mode: variable speed regulation with automatic switch-off
- Suitable to charge open lead acid, GEL, AGM and Li-Ion batteries
- For commercial and recreational applications



green energy solutions



green energy solutions



Genverter WhisperPower DC Generator  
Variable Speed Technology (VST)  
- Smart low electromagnetic interference (EMI) design (no shielded cables necessary)

- Features:**
- High efficiency (>90%)
  - Easy installation (plug and play)
  - Can be paralleled with 2<sup>nd</sup> DC PowerCube (9 kW)
  - WhisperConnect (CANbus) connection

- 3.6 kW uni-directional single phase wide input PFC, AC to DC-link.
- 4.0 kW uni-directional 3-phase multi phase step-up booster, AC to DC-link.
- 4.5 kW uni-directional DC-DC converter (galvanic isolated)

Model name	WP-DC PowerCube 24/150	WP-DC PowerCube 48/100
<b>Model number / Product type</b>	<b>60202002 / Battery charger</b>	<b>60202003 / Battery charger</b>
<b>General specifications</b>		
Nominal battery voltage	24 VDC	48 VDC
Output current	0-150A (short circuit protected)	0-100A (short circuit protected)
Output voltage	26.5/28.5 VDC	43.0/57.0 VDC
Recommended battery capacity:	300 to 1500 Ah	200 to 1000 Ah
Charge characteristic	3+ step charge characteristic	
Slave charger	12V-20A (3+ step charge characteristic) short circuit protected	
<b>Input specifications</b>		
Grid input voltage range	90-264VAC (45-65Hz), (3 wire connection)	
Grid input current	Adjustable, from 2A to 16A	
Power factor (cos phi)	> 0.9	
PM generator input range	80-300VAC (30-500Hz), (3 wire connection)	
PM input current	Adjustable, from 2A to 14.5A	
Power factor (cos phi)	> 0.85	
Power Factor Correction (PFC)	EN 61000-3-2	
<b>Technical specifications</b>		
Temperature compensation	-30 mV/°C	-60 mV/°C
Supported battery types	Open and sealed lead acid: Gel / Traction / AGM / Spiral and Lithium-ion	
Battery leakage current	<5mA per battery	
Charge voltages	Bulk, Absorption, Float	
Charge voltage AGM / GEL at 25°C	28.80 VDC, 28.50 VDC, 27.20 VDC	57.60 VDC, 57.00 VDC, 54.40 VDC
Charge voltage Traction at 25°C	29.20 VDC, 28.90 VDC, 26.50 VDC	58.40 VDC, 57.80 VDC, 53.00 VDC
Charge voltage Open lead acid at 25°C	28.50 VDC, 28.50 VDC, 26.50 VDC	57.00 VDC, 57.00 VDC, 53.00 VDC
Charge voltage Lithium ION at 25°C	28.80 VDC, 27.20 VDC, 26.50 VDC	57.60 VDC, 54.40 VDC, 53.00 VDC
Return current from absorption to float	6% of I <sub>max</sub>	6% of I <sub>max</sub>
PowerCube status on/off	Digital output (relay, two-way contact)	
Failure	Digital output (relay, two-way contact)	
AC grid disabled	Digital input (potential free input, closed is disabled)	
PM input disabled	Digital input (potential free input, closed is disabled)	
Conformity	Directive EMC 2004/108/EC : EN 61000-6-1, EN 61000-6-3, EN 55014, EN 55022, EN 61000-3-2, 62040-2 Low voltage directive 2006/95/EC: EN 62040-1-1, EN 50091-2, EN 60950-1	
<b>Protections</b>		
PM input isolation protection	Yes (open collector output 30 VDC, 100mA)	
Over temperature protection	Yes, derating above 40°C, shutdown at high temperatures. (with automatic restart after cooling down)	
Overvoltage protection (manual restart needed)	36 VDC +/- 0.5 VDC	68 VDC +/- 0.5 VDC
Ingress Protection index	IP21	
<b>Mechanical specifications</b>		
Main battery connection	2 x M10 studs	
Slave battery connection	1 x M5 stud	
Earth grounding lug	1 x M6 stud	
AC grid input	3 x M3 screw terminal block	
PM grid input	3 x M3 screw terminal block	
Remote control panel	RJ12	
Battery temperature sensor	RJ12	
Whisper Connect CANbus	RJ45	
Voltage sense	Phoenix MSTB 2.5/2-ST-5.08	
Digital outputs	6 x fastons (6.3x0.8)	
Digital inputs	4 x fastons (6.3x0.8)	
Dimension hxxwxxl [mm]	575x221x316	
Operating temperature range	-20 - 55°C (derating above 40°C)	
Relative humidity in operation	up to 95% without condensation	
Ventilation	Combined cooling (convection and forced (variable speed))	
Weight	21 kg	21 kg
Acoustic level	<52dB	
Warranty	2 years	
Accessories	Battery temperature sensor and remote control panel	